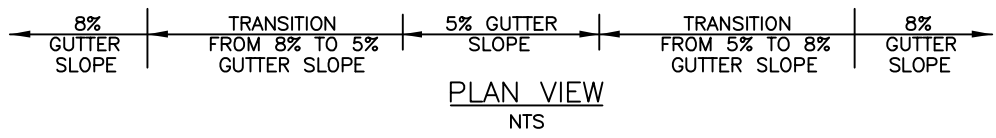
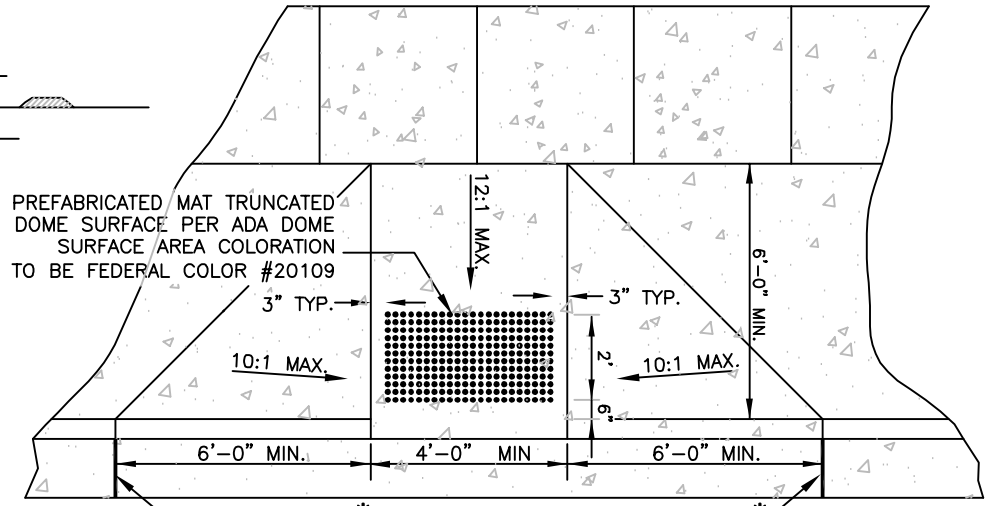
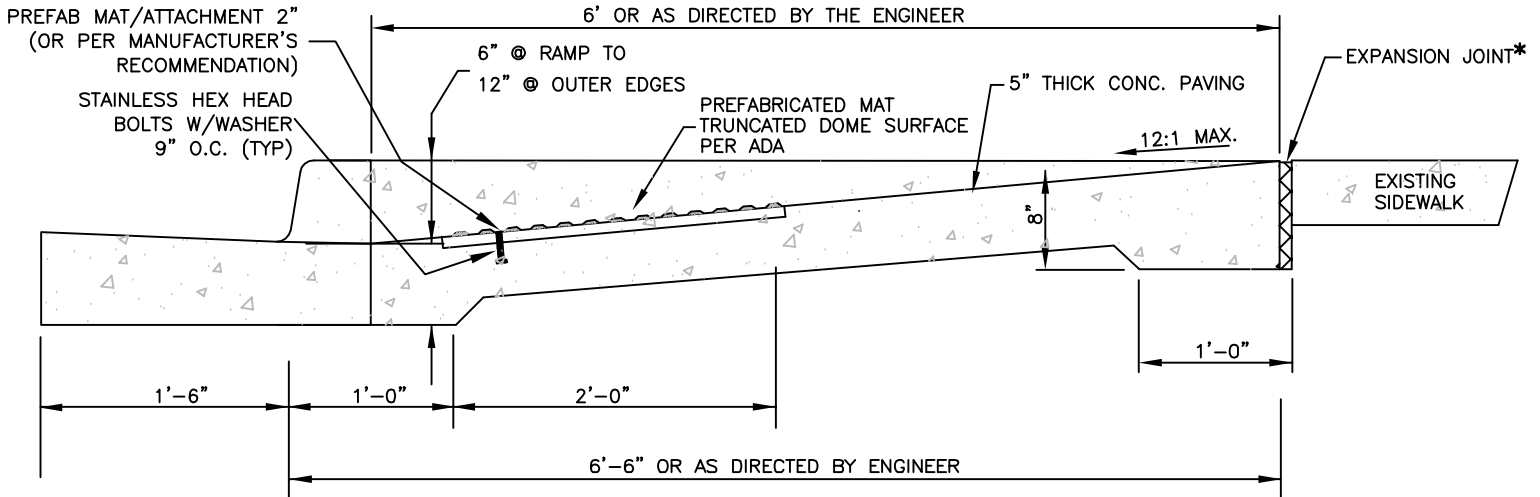


	MIN.	MAX.
D	1.60"	2.35"
E	.65"	1.50"
F	.45"	.80"
G	.90"	1.40"

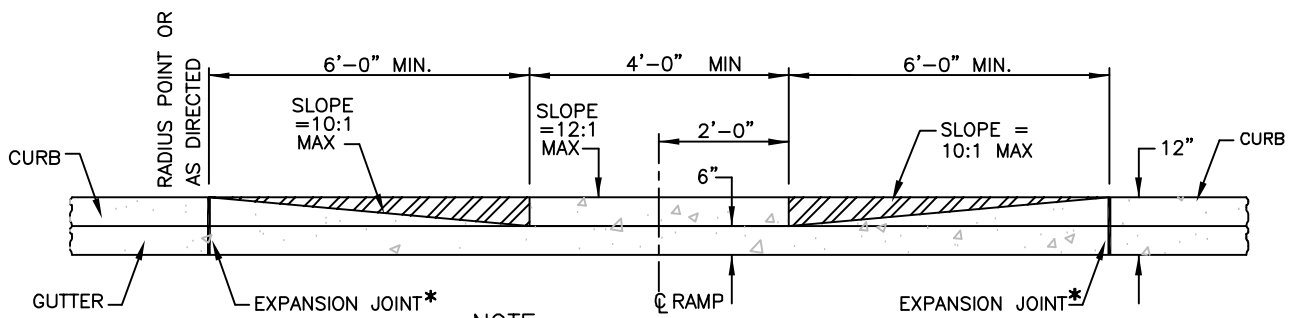
TRUNCATED DOME SURFACE DETAIL



PLAN VIEW
NTS



CROSS SECTION
NTS



NOTE:
CONTRACTOR SHALL FORM A SMOOTH TRANSITION FROM 6" HIGH CURB TO EDGE OF RAMP

CURB LEVEL VIEW
NTS

* EXPANSION JOINT MATERIAL TO MEET ALDOT SPECIFICATIONS 832.01 & 832.02



**CITY OF MOBILE, ALABAMA
ENGINEERING DEPARTMENT**

**TYPICAL HANDICAP CURB RAMP
AREAS W/NO GRASS STRIP**