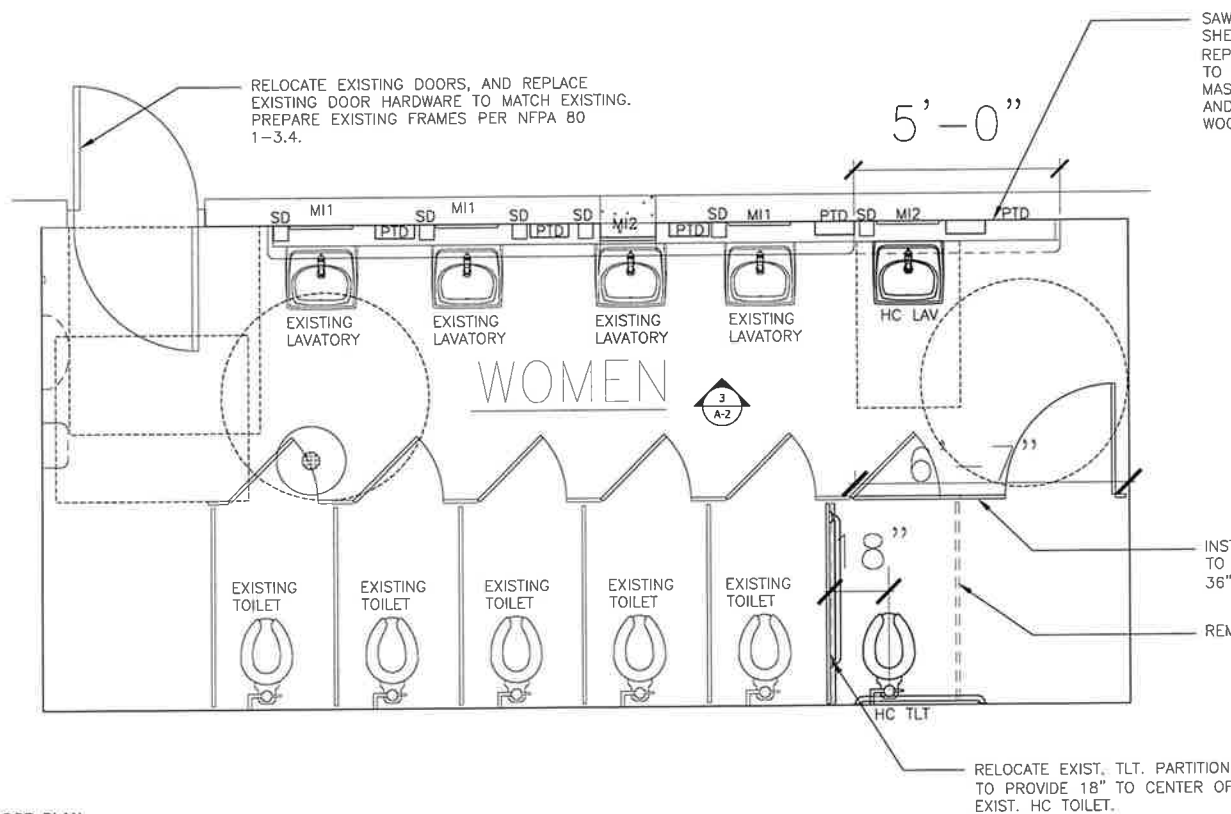


**ADDENDUM #2
11/10/21
GYMNASIUM RESTROOM
ADA IMPROVEMENTS
PR-019-21
AZALEA ROAD
COMPLEX**

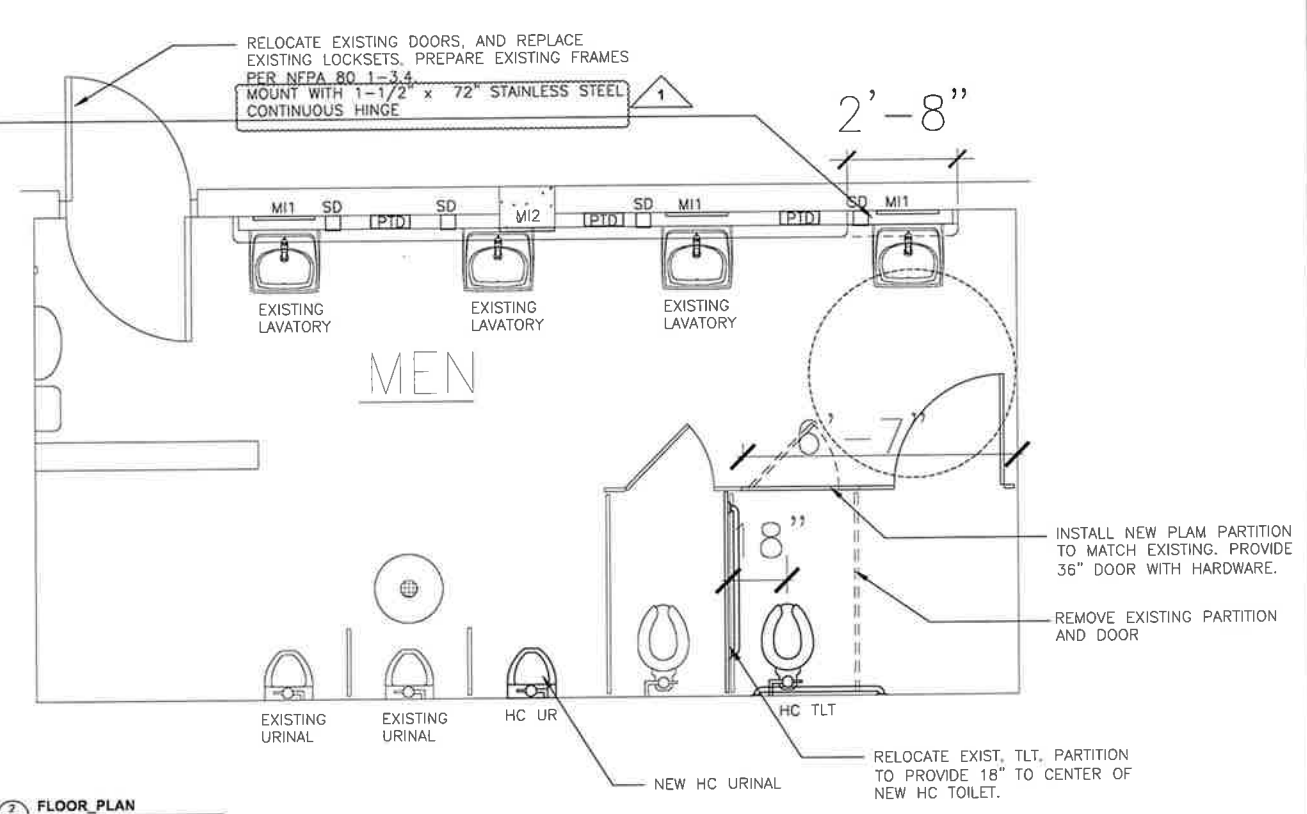
Drawings

A-2: See attached drawing for revised toilet fixture and door hinge information.

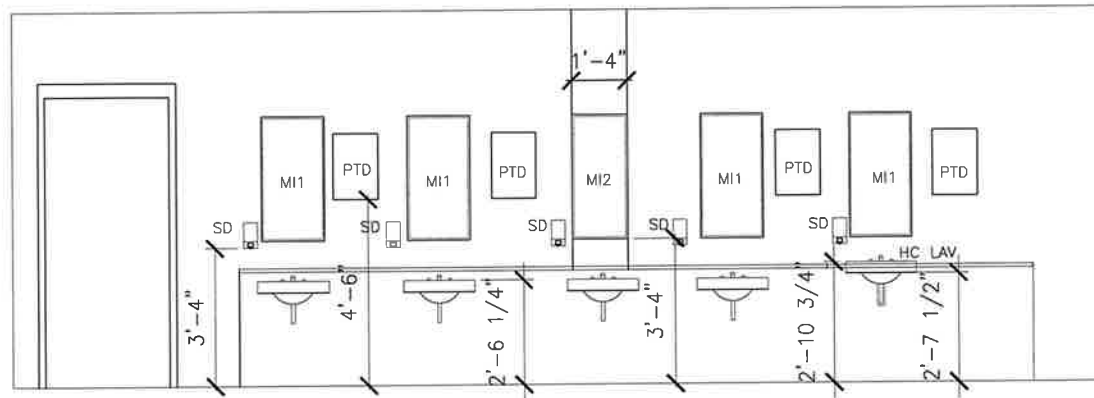
END OF ADDENDUM NO. 2



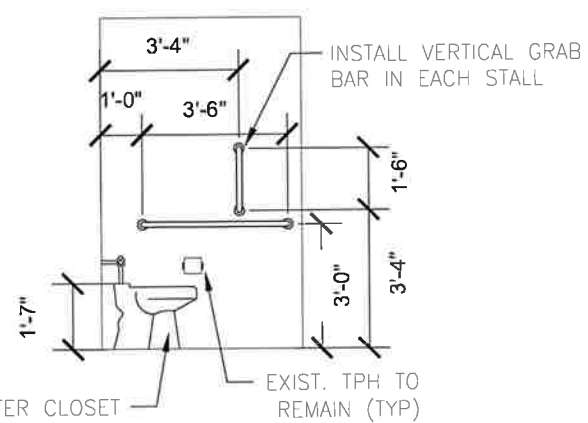
1 FLOOR PLAN
SCALE: 1/16" = 1'-0"



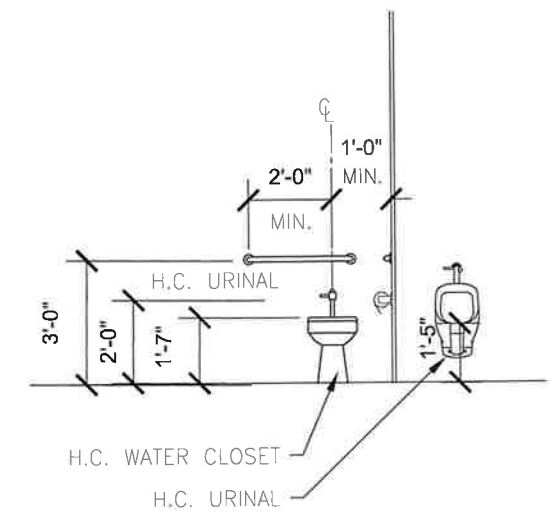
2 FLOOR PLAN
SCALE: 1/16" = 1'-0"



3 FLOOR PLAN
SCALE: 1/16" = 1'-0"



4 FLOOR PLAN
SCALE: 1/16" = 1'-0"



5 FLOOR PLAN
SCALE: 1/16" = 1'-0"

FIXTURE LEGEND				
MARK	DESCRIPTION	MANUFACTURER	MODEL NUMBER	NOTES
HC TLT	FLOOR-MOUNTED FLUSH VALVE WATER CLOSET (HANDICAPPED)	AMERICAN STANDARD	MADERA SERIES 346.511 OR APPROVED EQUAL	VIT. CHINA, WHITE, 16-1/2" HIGH ELONGATED BOWL, FLOOR-MOUNTED, BOTTOM OUTLET, 1.6 GPF FLUSH VALVE TYPE WITH WHITE OPEN FRONT SEAT WITHOUT COVER, BOLT CAPS, WITH INFRARED FLUSH SENSOR. INSTALL PER ADA REQUIREMENTS
HC UR	FLOOR-MOUNTED FLUSH VALVE URINAL (HANDICAPPED)	AMERICAN STANDARD	WASHBROOK SERIES 6515.001OR APPROVED EQ	VIT. CHINA, WHITE, 17" HIGH BOWL, BLACK SPUD, FLOOR-MOUNTED, BOTTOM OUTLET, 0.5 GPF FLUSH VALVE TYPE, SLOAN ROYAL 995 CONCEALED BACK SPUD FLUSH WITH EXISTING INFRARED FLUSH SENSOR. INSTALL PER ADA REQUIREMENTS
HC LAV	LAVATORY (HANDICAPPED)	AMERICAN STANDARD	0475.047 OR APPROVED EQUAL	VIT. CHINA, WHITE, CENTER HOLE ONLY, WITH 1-1/4" TRAP. INSTALL PER ADA REQUIREMENTS. FAUCET: ZURN 26913-1H-MV-ES.

INTERIOR PAINT SCHEDULE	
CEILINGS :	PT-1, GLOSS WHITE, GLOSS
WALLS:	PT-1, GLOSS WHITE, GLOSS
TRIM:	PT-1, GLOSS WHITE, GLOSS
DOORS & FRAMES:	PT-2 ARCHITECTURAL BROWN, SEMI-GLOSS

PROJECT NUMBER: **Gymnasium Restroom**
ADA Improvements PR-019-21
 Azalea Road Complex 1301 Azalea Road
 Mobile, AL 36693
 PREPARED BY: [] DRAWN BY: [] CHECKED BY: [] DATE: []
 SCALE: []
PLANS And ELEVATIONS